

Multisensor True Presence

V2 IP - surface

EAN 4007841 081850

Article number 081850



high frequency sensor 360°



Movement Ø 15 m



Presence Ø 15 m



True Presence Ø 9 m



air humidity



air pressure



brightness



CO2



temperature



VOC

Function description

Everything is measurable. 8 senses for intelligent buildings, for measurably healthy indoor air. With the Multisensor True Presence® IP, human presence, brightness, room temperature, humidity, air pressure, volatile organic compounds (VOC), CO2 and the prevailing noise level can be determined. In addition, information about a possible risk of infection is derived from the determined values. Result: more health, more safety, more efficiency and more comfort.

Technical specifications

Dimensions (L x W x H)	142 x 142 x 45 mm
With motion detector	Yes
Manufacturer's Warranty	5 years
Settings via	Bluetooth Mesh, Web-Interface
With remote control	No
Version	IP - surface
PU1, EAN	4007841081850
Type	Presence detector
Application, place	Indoors
Application, room	open-plan office, hotel room, classroom, conference room / meeting room
Colour	white
Colour, RAL	9003
Includes corner wall mount	No
Installation site	ceiling
Installation	Surface wiring
IP-rating	IP20

Mounting height max.	12,00 m
Optimum mounting height	2,8 m
Montagehöhe max. True Presence Erfassung	4,00 m
HF-system	7,2 GHz
Detection	also through glass, wood and stud walls
Detection angle	360 °
Angle of aperture	160 °
Sneak-by guard	Yes
Capability of masking out individual segments	No
Electronic scalability	Yes
Mechanical scalability	No
Reach, radial	Ø 15 m (177 m ²)
Reach, tangential	Ø 15 m (177 m ²)
Reach, presence	Ø 15 m (177 m ²)
True Presence reach	Ø 9 m (64 m ²)

Multisensor True Presence

V2 IP - surface
 EAN 4007841 081850
 Article number 081850

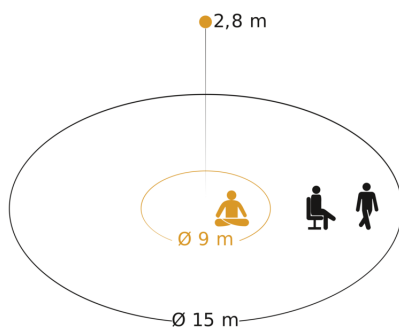


Technical specifications

Ambient temperature	from 0 up to 50 °C
Material	Plastic
Power consumption	1 W
Power supply, detail	Passive PoE SELV, standard PoE (IEEE 802.3 af)
With bus coupling	Yes
Technology, sensors	Light sensor, High frequency, Air humidity, Air pressure, Temperature, VOC, Noise level, CO2
Mounting height	2 – 12 m

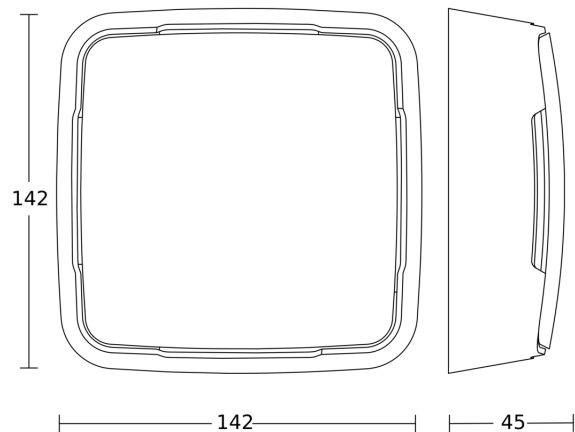
Transmitter power	< 10 mW
Functions	Motions sensor, Light sensor
Twilight setting	2 – 2000 lx
Main light adjustable	Yes
Twilight setting TEACH	Yes
Interconnection	Yes
Interconnection via	Bluetooth Mesh
Product category	Multisensor

Detection Zone



Possible mounting height: 2,00 m - 12,00 m
 Orange: True Presence
 Black: movement and presence

Dimension Drawing



Circuit diagram

